

# 1175 & 1175 Hydro

John Deere Combine



# 1175 & 1175 Hydro

## John Deere Combine



### Technical Specifications 1175 & 1175 Hydro

Engine	
Make/Model/Series:	John Deere/6068T
Aspiration:	Turbo
Engine Power - hp (kw):	180 (133)
Rated RPM:	2200
Number of Cylinders:	6
Displacement - Liters:	6.8 L (1.8 US gal)

Threshing Unit:	
Cylinder Diameter - mm:	610
Cylinder Width - mm:	1300
Cylinder Speed Variation - type:	PosiTorq™;
	Hydraulic with PosiTorq™ (Hydro Version)
Speed Variation Range - rpm:	450-1150
Concave Wrap Angle:	112°
Concave Area (m²):	0.77

Separation Unit	
Number of Straw Walkers:	5
Number of Steps:	5
Length - mm:	3715
Overall Separation Area - m²:	5.61

Cleaning Unit	
Grain Pan Area - m²:	2.21
Overall Cleaning Area - m²:	4.6
Fan Speed - rpm:	550 to 1150

Grain Tank	
Capacity - Liters:	4800
Discharge Flow - Liters:	53

Transmission	
Type:	Mechanical with PosiTorq™, Hydrostatic (Hydro Version)

Brake	
Service	Drum with hydraulic drive
Park	Drum with mechanical drive (pedal)

Tires	
Option 1:	
Option 2:	

Header	
Size - Feet (m)	16 (4.80) - 19 (5.70) - 23 (6.80)
Automatic Height and Cutting Control:	Optional for Flexible Header
Lateral Tilt System MASTER):	Optional for 16 and 19 feet

Corn Head	
Number of Rows:	4.5 and 6

Capacity - Liters	
Engine Sump (with filter):	20
Hydraulic System	30
Gearbox and Differential:	6.6
Fuel Tank:	330

Weight and Dimensions	
Width (no header):	3.6
Length (with header):	9.7
Height (with unloading tube retracted):	4
Weight (no header):	9100

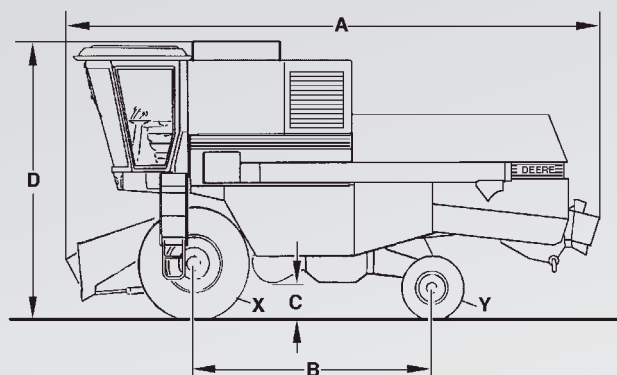
Operator Platform	
Operating Cab with Air Conditioning	Standard for Hydro version

Air Compressor	
Standard	

The technical specifications may be altered without notice - SEP 2008.  
The products in the pictures may be equipped with optional items.

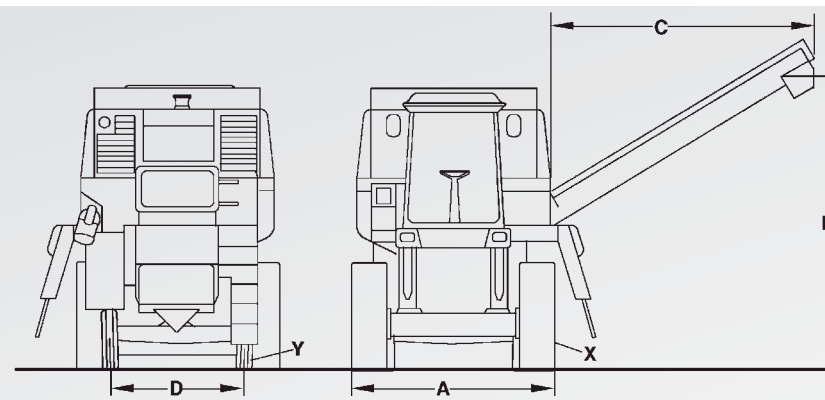
### Specifications

#### Dimensions



ZZ009857

Model	X	Y	A	B	C	D
1175	28.1-26	12.4-24	7117 mm	3574 mm	507 mm	3834 mm



ZX009281

Model	X	Y	A	B	C	D
1175	28.1-26	12.4-24	3355 mm	4198 mm	3713 mm	2276 mm