

5025 Series



John Deere 5625/5725 (75-85 HP) Tractors

RELIABILITY IS OUR STRENGTH



JOHN DEERE

Raise your Standards

The John Deere 5000 Series Tractor offers unrivalled performance. Now with its new 5025 Series Cabin it also offers unrivalled comfort.

Together with its new cabin option, it offers superb noise reduction and prevents dust from entering the cabin. With its comfortable driver's seat and standard air conditioning, you will feel like you just started, even late in the day.

Its modern dashboard and easy-to-use ergonomic controls, wide flat platform area and adjustable steering wheel will add to your driving comfort.

And for your comfort we have also added a sun visor and cup holders on either side as standard features.

Unrivalled noise reduction creates a quiet working environment allowing you to focus on your job.

We guarantee that with the deluxe cushion driver's seat you will be able to work the entire day without getting tired.

The tiltable telescopic steering column improves driving control for optimum operator comfort.

There are front and rear work lights for your night work needs.



For your comfort, ergonomic ceiling control and air conditioning comes as standard. Thanks to the outstanding noise reduction, you can work in a comfortable environment without using too much fuel.

With rounded rear corner mirrors and a rear floor window, your rear view and equipment control is enhanced.

To further improve your working environment, a radio-cassette player is a standard feature.



With its outstanding 320° field of view, the new 5025 Series Cabin offers a large interior volume and ergonomic controls.



The complete one-piece tilt hood can be raised to provide easy access to the engine, radiator and air filter, reducing daily maintenance times to a minimum.



For your various different working conditions there is dual cycle PTO. For your heaviest work, the highest PTO of 540 rpm can be used, and for light jobs the 540E low rpm fuel-saving economy PTO can be selected.



With its adjustable steering and easy entry and exit, your tractor offers outstanding comfort.

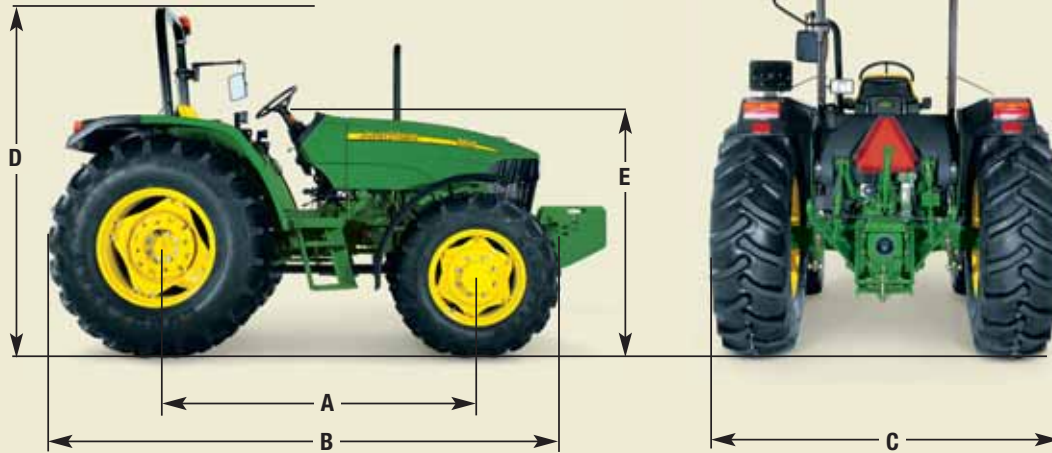


John Deere's original PowerTech engines offer astounding fuel economy. The lowest torque reserve (25%) in its class allows you to work at low rpm.



There is a comfortable wide working area and a flat operator platform with ergonomic controls.

DIMENSIONS and WEIGHT



DIMENSIONS (mm)	5625	5725
D – Height (Without cabin/cabin)	2540 / 2585	2540 / 2585
A – Axle distance	2180	2180
B – Length	3834	3834
C – Width	1760-2296	1760-2296
WEIGHT (kg)		
Unloaded Weight – Without cabin (2WD/4WD)	2645 / 2840	2685 / 2890
Unloaded Weight – With cabin (2WD/4WD)	3080 / 3280	3125 / 3330
Maximum loaded weight	4690 / 5300	4690 / 5300
TIRES (2WD/4WD)		
Front (Standard)	7.50x18 / 11.2x24	7.50x18 / 12.4x24
Rear (Standard)	16.9x30	18.4x30
Front (Optional)	7.50x18 / 12.4x24	7.50x18 / 13.6x24
Rear (Optional)	13.6x38	14.9x38

rsa@johndeere.com
www.johndeere.co.za



RELIABILITY IS OUR STRENGTH

TECHNICAL SPECIFICATIONS*

	5625	5725
ENGINE	Original John Deere PowerTech®	Original John Deere PowerTech®
Rated power (ECER24-with fan)	75 HP (55 kW)	85 HP (62.5 kW)
Maximum power (ISO-without fan)	81 HP (59.6 kW)	91 HP (67 kW)
Number of cylinders	4, Natural	4, Turbo
Cylinder capacity	4.5 L	4.5 L
Cap x Stroke	106.5 x 127 mm	106.5 x 127 mm
Working speed interval	1600 – 2400 rpm	1600 – 2400 rpm
Maximum torque	292 Nm (1200 rpm)	318 Nm (1400 rpm)
Torque reserve	25%	25%
Cooling	Water cooled	Water cooled
Air filter	Dry Type	Dry type
Clutch	Mechanical, dry type, cera-metallic	Mechanical, dry type, cera-metallic
GEARS	Sync Shuttle (Synchromatic)	Sync Shuttle (Synchromatic)
Number of gears	9 forward, 3 reverse	9 forward, 3 reverse
Speed	2.2 – 31 km/h	2.2 – 31 km/h
PTO	Dual cycle	Dual cycle
PTO speeds	540 – 540E	540 – 540E
PTO rpm (540-540E)	2400 – 1700 rpm	2400 – 1700 rpm
PTO power	68 HP	75 HP
BRAKES	Wet disk brakes	Wet disk brakes
Control	Hydraulically controlled	Hydraulically controlled
AXLE		
Rear differential lock	Foot pedal controlled	Foot pedal controlled
Front differential lock (4WD)	Automatic	Automatic
Steering	Hydrostatic, 52°	Hydrostatic, 52°
HYDRAULIC SYSTEM	Open center tandem-gear	Open center tandem-gear
Hydraulic lift flow rate/pressure	60.2 L/min / 197 bar	60.2 L/min / 197 bar
Steering flow rate/pressure	24.9 L/min / 135 bar	24.9 L/min / 135 bar
Hydraulic power emission	1 unit dual efficiency valves (two exhausts)	1 unit dual efficiency valves (two exhausts)
THREE-POINT HITCH SYSTEM	Category II,(I)	Category II,(I)
Sensitivity type	Middle arm sensitivity	Middle arm sensitivity
Hydraulic controller	Pull/floating position	Pull/floating position
Lift capacity	2060 kg	2060 kg
CAPACITIES		
Fuel tank (With cabin/Without cabin)	117 / 95 L	117 / 95 L
Cooling system	10.8 L	10.8 L
Crankcase (excluding filter change)	8.5 L	8.5 L
Hydraulic and gear oil	38 L	38 L
Battery/Alternator	12 V, 100 Ah / 40 A	12 V, 100 Ah / 40 A

* The manufacturer reserves the right to change designs, technical specifications and accessories without prior notice.